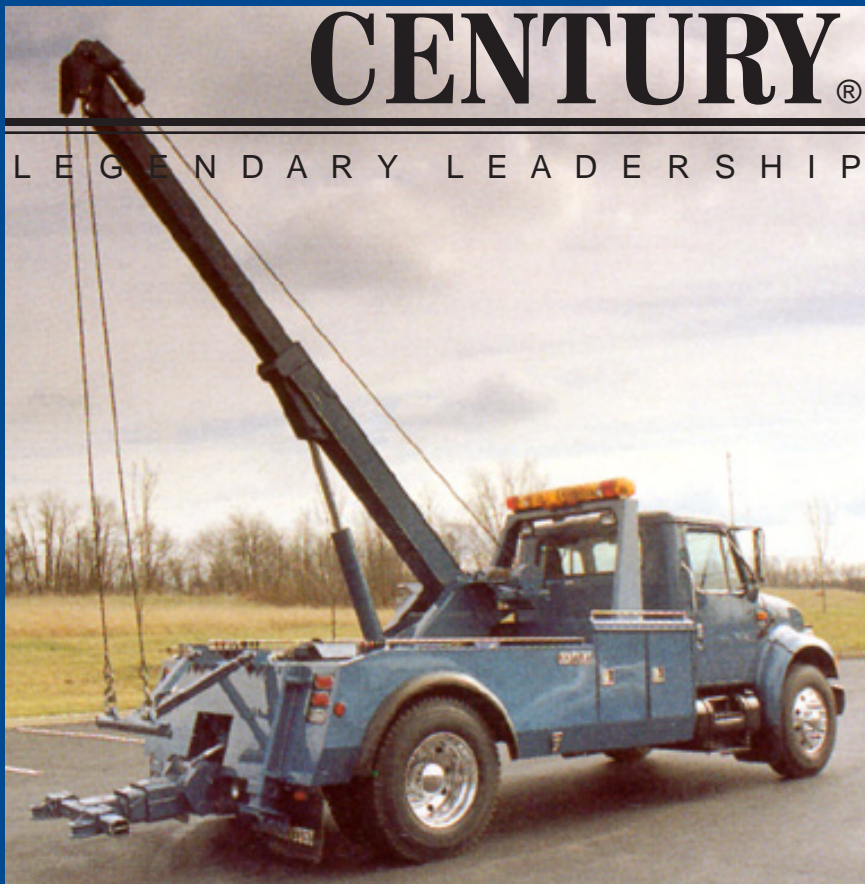


CENTURY®

LEGENDARY LEADERSHIP



OWNER'S MANUAL

820 WRECKER / FIIT

INSTALLATION, OPERATION, MAINTENANCE & PARTS

**NOTE: MANUAL including SPECIFICATIONS, subject to change without notice
All ratings specified are based on structural factors only,
not vehicle capacities or capabilities.**

CENTURY®

Miller Industries Towing Equipment Inc.

8503 Hilltop Drive

Ooltewah, Tennessee 37363

Phone (423) 238-4171 • FAX (423) 238-5371

FORM NO. 0500724

02 / 97

PRICE \$25.00

LIMITED WARRANTY

MILLER INDUSTRIES TOWING EQUIPMENT INC., hereinafter referred to as MILLER, warrants to the original purchaser that each new MILLER wrecker or other MILLER products will be free from defects in material and workmanship for a period of twelve (12) months from date placed in service, but in no event shall such warranty period exceed twenty-four (24) months from date of manufacture by MILLER. The purchaser must promptly notify MILLER in writing of any failure in material or workmanship. In no event shall MILLER accept such notification later than twenty-four (24) months from date of delivery or twelve (12) months from date placed in service, whichever is earlier.

MILLER's obligation under this warranty, statutory or otherwise, is limited to the repair or replacement at the MILLER factory, or at a point designated by MILLER, of such part or parts as shall appear upon inspection by MILLER to be defective in material or workmanship. New or remanufactured parts will be used for any replacement at MILLER's option. This warranty is not transferable. This warranty does not obligate MILLER to bear the cost of labor or transportation charges in connection with the repair or replacement of any parts found to be defective, nor shall it apply to a product upon which repairs or alterations have been made unless authorized by MILLER.

EXCEPT AS EXPRESSLY SET FORTH IN THIS WARRANTY, MILLER MAKES NO OTHER WARRANTY, EXPRESS OR IMPLIED, AND HEREBY DISCLAIMS ALL OTHER WARRANTIES INCLUDING, BUT NOT LIMITED TO, THE IMPLIED WARRANTIES OF MERCHANTABILITY AND FITNESS FOR A PARTICULAR PURPOSE. MILLER shall in no event be liable for claimed downtime, claimed loss of profits or goodwill, or any other special, incidental, indirect, or consequential damages concerning or relating to any product or parts, whether based on negligence, strict liability, breach of contract, breach of warranty, misrepresentation or any other legal theory, regardless of whether the loss resulted from any general or particular requirement which MILLER knew or had reason to know about at the time of sale.

MILLER MAKES NO WARRANTY, EXPRESS OR IMPLIED, AS TO THE FINISHED PRODUCTS MANUFACTURED OR SUPPLIED BY ANOTHER MANUFACTURER AND SUPPLIED BY MILLER TO PURCHASER, including, but not limited to, any vehicle to which a MILLER product may be affixed or any accessories or wire rope, and MILLER EXPRESSLY DISCLAIMS ANY IMPLIED WARRANTIES OF MERCHANTABILITY OR FITNESS FOR A PARTICULAR PURPOSE AS TO SUCH EQUIPMENT OR PRODUCTS. This language shall in no way affect or diminish the rights of the purchaser to rely on such warranties as are extended by such manufacturers or suppliers. MILLER shall, to the extent permitted under applicable law, pass on to the purchaser such manufacturer's or seller's warranty.

MILLER, whose policy is one of continuous improvement, reserves the right to improve its products through changes in design or materials as it may deem desirable without being obligated to incorporate such changes in products previously sold. This warranty is not intended to cover or include the following items, which are set forth by way of example and not limitation:

- A. Normal deterioration of trim, paint, lettering, and appearance items due to wear or exposure to weather, road conditions, road treatments, etc.
- B. Any damage or defect due to accident, misuse, abuse, improper or unauthorized repairs, failure to provide reasonable and necessary maintenance, or uses for which the equipment was not designed or intended.
- C. Alterations or modifications that affect performance, operation or reliability.
- D. Normal maintenance parts including, but not limited to, wear pads, bushings, wire rope, mud flaps, fenderettes, light bulbs, hydraulic oil, filters, and tow sling belts.

IT IS EXPRESSLY UNDERSTOOD THAT MILLER MAKES NO IMPLIED WARRANTY THAT MILLER PRODUCTS SHALL BE FIT FOR THE PURPOSE OF LIFTING OR MOVING PEOPLE OR FOR ANY OTHER IMPROPER USE.



Miller Industries Towing Equipment Inc.
8503 Hilltop Drive
Ooltewah, Tennessee 37363

SERIAL NUMBER

Telephone (423) 238-4171

Section VI - PARTS

This Section is provided by the manufacturer for the purpose of ordering any component part of the **820 Wrecker and Formula IIIT Wheel Lift** that may be required when part replacement is necessary.

Be certain to use only original equipment replacement parts for warranty purposes as well as for keeping your **820 Wrecker and Formula IIIT Wheel Lift** in its original state and optimum operating capacities.

When ordering replacement or spare parts be sure to provide the following information to the manufacturer's **Parts Department**.

1. **Manual Number & Date of Publication**
2. **Manual Page Number**
3. **Page Title**
4. **Reference Number of Part Desired**
5. **Part Number**
6. **Part Description**
7. **Quantity of Part Desired**

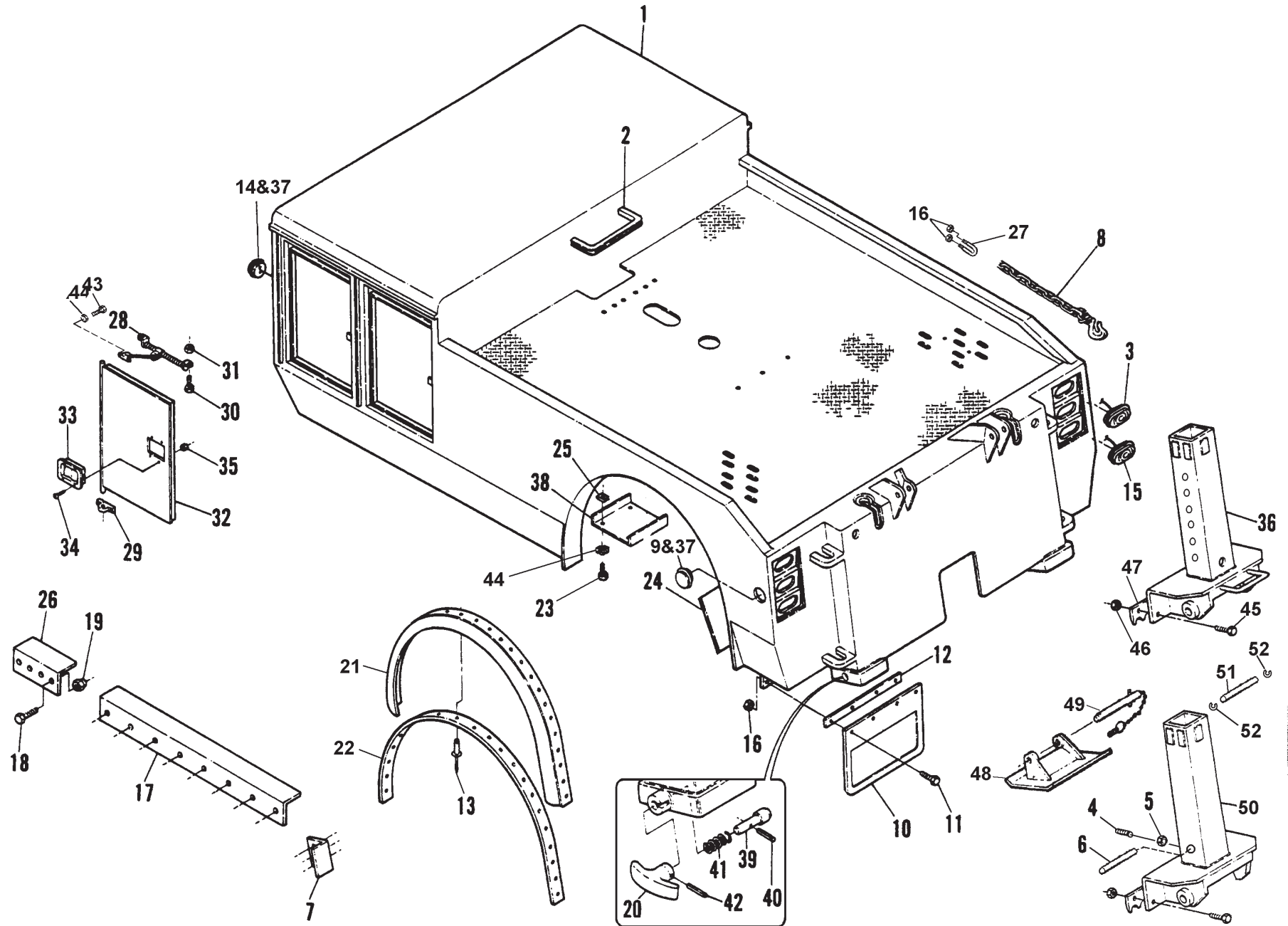
Providing this information will help ensure that the correct parts will be delivered to you in an expedient manner. Should additional information be required for repair or replacement of certain components, contact your Wrecker Manufacturer Authorized Representative.

The Manufacturer reserves the right, without notice or obligation, to improve or modify their products, which may change the specifications, models and feature availability.

Section VI - PARTS (cont'd) BODY ASSEMBLY

Section VI - PARTS (cont'd)

BODY ASSEMBLY



Section VI - PARTS (cont'd)

BODY ASSEMBLY

REF. NO.	NO. REQ'D	PART NUMBER	DESCRIPTION
1	1	0802930	BODY WELDMENT, 108" C.A.
2		0301799	FLEXIBLE TRIM
3	4	0301390	LIGHT, RED
4	1	0400139	SCREW, 3/8"-16 X 1-1/2" HEX SKT SET
5	1	0400392	NUT, 3/8"-16 NYLOK HEX
6	1	0705500	SHAFT, LOWER SPADE
7	2	0706553	ANGLE, TAILGATE MOUNTING
8	2	0303086	CHAIN, SAFETY
9	2	0301741	MARKER, SEALED RED
10	2	0301223	MUDFLAP
11	10	0400122	SCREW, 3/8"-16 X 1-1/4" HEX HD CAP
12	2	0705092	BAR, MUDFLAP
13	40	0400566	RIVET, 1/4"
14	2	0301742	MARKER, SEALED YELLOW
15	2	0302201	LIGHT, WHITE BACK-UP
16	14	0400392	NUT, 3/8"-16 HEX NYLOK
17	2	0705493	ANGLE, REAR MOUNTING
18	30	0400264	SCREW, 5/8"-11 X 2-1/4" HEX HD CAP
19	30	0400421	NUT, 5/8"-11 HEX NYLOK
20	2	0300331	HANDLE, PLUNGER "T"
21	1	0300505	LIGHT, BACK-UP (BUILT BEFORE 4/94)
22	1	0300501	LIGHT, STOP & TURN (BUILT BEFORE 4/94)
23	8	0400066	SCREW, 1/4"-20 x 3/4" HEX HD CAP
24	2	0705497	MUD GUARD
25	8	0400369	NUT, 1/4" "J" TINNERMAN
26	2	0705492	ANGLE, FRONT MOUNTING

REF. NO.	NO. REQ'D	PART NUMBER	DESCRIPTION
27	2	0302376	CLAMP
28	4	0301912	HOLDBACK, DOOR CHECK
29	8	0304264	HINGE, DOOR
30	8	0400070	SCREW, 1/4"-20 X 1" HEX HD CAP
31	8	0400367	NUT, 1/4"-20 HEX NYLOK
32	4	0304480	DOOR, TOOL BOX (ORDER BY SIZE)
33	4	0302855	LATCH, TOOL COMPARTMENT DOOR
34	16	0400021	SCREW, #8-32 RD HD
35	16	0400351	NUT, #8-32 KEPS
36	2	0801664	SPADE, MANUAL REAR
37	4	0301740	GROMMET, LIGHT MOUNTING W/PLUG
38	2	0705497	MUD GUARD, CONTROL CROSSROD
39	2	0700526	PIN, PLUNGER
40	2	0400568	PIN, ROLL
41	2	0300004	SPRING, PLUNGER
42	2	0400561	PIN, ROLL
43	4	0400060	SCREW, 1/4"-20 X 1/2" HEX HD CAP
44	8	0400452	WASHER, LOCK 1/4"
45	8	0400181	SCREW, 1/2"-13 X 1-1/2" HEX HD CAP
46	8	0400408	NUT, LOCK 1/2"-13
47	2	0705485	SPADE BLADE
48	2	0801665	SPADE PAD
49	2	0901311	SPADE PAD PIN ASSEMBLY
50	1	0801656	INNER SPADE TUBE (HYDRAULIC)
51	1	0705499	SHAFT, UPPER SPADE
52	2	0300110	RING, SNAP 1"

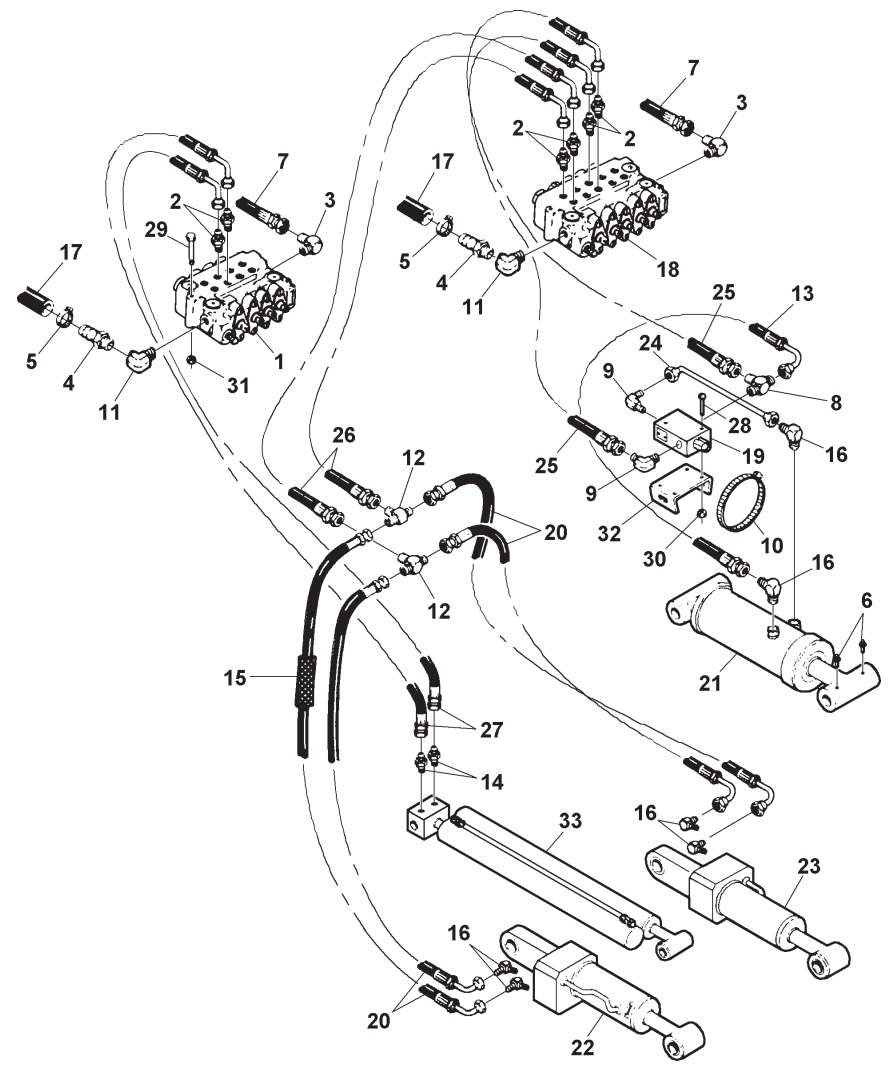
Section VI - PARTS (cont'd)

FORMULA IIIT WHEEL LIFT ASSEMBLY

REF. NO.	NO. REQ'D	PART NUMBER	DESCRIPTION
1	16	0300113	GREASE FITTING
2	1	0301197	COMPRESSION SPRING, CROSSBAR
3	1	0301398	BALL, 1-3/16" DIA. STEEL
4	7	0302561	SLIDE PAD
5	1	0302625	BUSHING
6	1	0303087	"O" RING, PIVOT PIN
7	REF.	0303101	LIFT CYLINDER
8	REF.	0303102	TILT CYLINDER, LEFT
	REF.	0303103	TILT CYLINDER, RIGHT
9	2	0303105	THRUST WASHER, 1/8"
10	2	0303106	THRUST WASHER, 1/16"
11	1	0400107	SCREW, 5/16"-18 X 2-1/2" HEX HD CAP
12	4	0400147	SCREW, 3/8"-24 X 5/8" HEX HD CAP
13	8	0400228	SCREW, 3/8"-24 X 5/8" BUTTON HD SKT
14	4	0400254	SCREW, 5/8"-11 X 2-1/2" HEX HD CAP
15	9	0400260	SCREW, 5/8"-11 X 2" HEX HD CAP
16	4	0400264	SCREW, 5/8"-11 X 2-1/4" HEX HD CAP
17	2	0400271	SCREW, 5/8"-11 X 4-1/2" SKT HD CAP
18	1	0400382	NUT, 5/16"-18 NYLOK HEX
19	9	0400392	NUT, 3/8"-16 NYLOK HEX
20	17	0400421	NUT, 5/8"-11 NYLOK HEX
21	4	0400481	LOCKWASHER, 3/8" EXT. TOOTH
22	16	0400506	WASHER, 5/8" X 1-3/4" FLAT

REF. NO.	NO. REQ'D	PART NUMBER	DESCRIPTION
23	2	0400508	LOCKWASHER, 5/8" HELICAL
24	2	0703231	STOP BLOCK, 2ND STAGE
25	2	0707034	STOP PLATE
26	1	0707271	PIN, EXTEND CYLINDER, BASE END
27	2	0707452	SPACER PAD
28	1	0710054	PIVOT PIN, TOP HALF
29	1	0710055	PIVOT PIN, BOTTOM HALF
30	1	0710193	PIN, UPPER LINK & LIFT CYLINDER
31	1	0710195	SPACER, DETENT SPRING
32	1	0802917	BOOM WELDMENT, 2ND STAGE
33	1	0802918	BOOM WELDMENT, 3RD STAGE
34	1	0802919	CROSSBAR WELDMENT
35	1	0802920	OUTER BOOM WELDMENT
36	1	0802921	FRAME WELDMENT
37	9	DE496	SCREW, 3/8"-16 X 3-3/4" HEX HD CAPP
38	1	HD55	IN, CYLINDER BASE
39	2	HD58	UPPER LINK ARM WELDMENT
40	4	HD59	BEARING, LINK UPPER
41	2	HD67B	PIN, UPPER LINK
42	4	HD68B	PIN, LOWER LINK
43	1	HD86	EXTEND CYLINDER PIN WELDMENT
44	1	HD89	RETAINING RING, 1-5/16"
45	REF.	HD130	CYLINDER, BOOM EXTENSION

Section VI - PARTS (cont'd) FORMULA IIIIT WHEEL LIFT HYDRAULICS



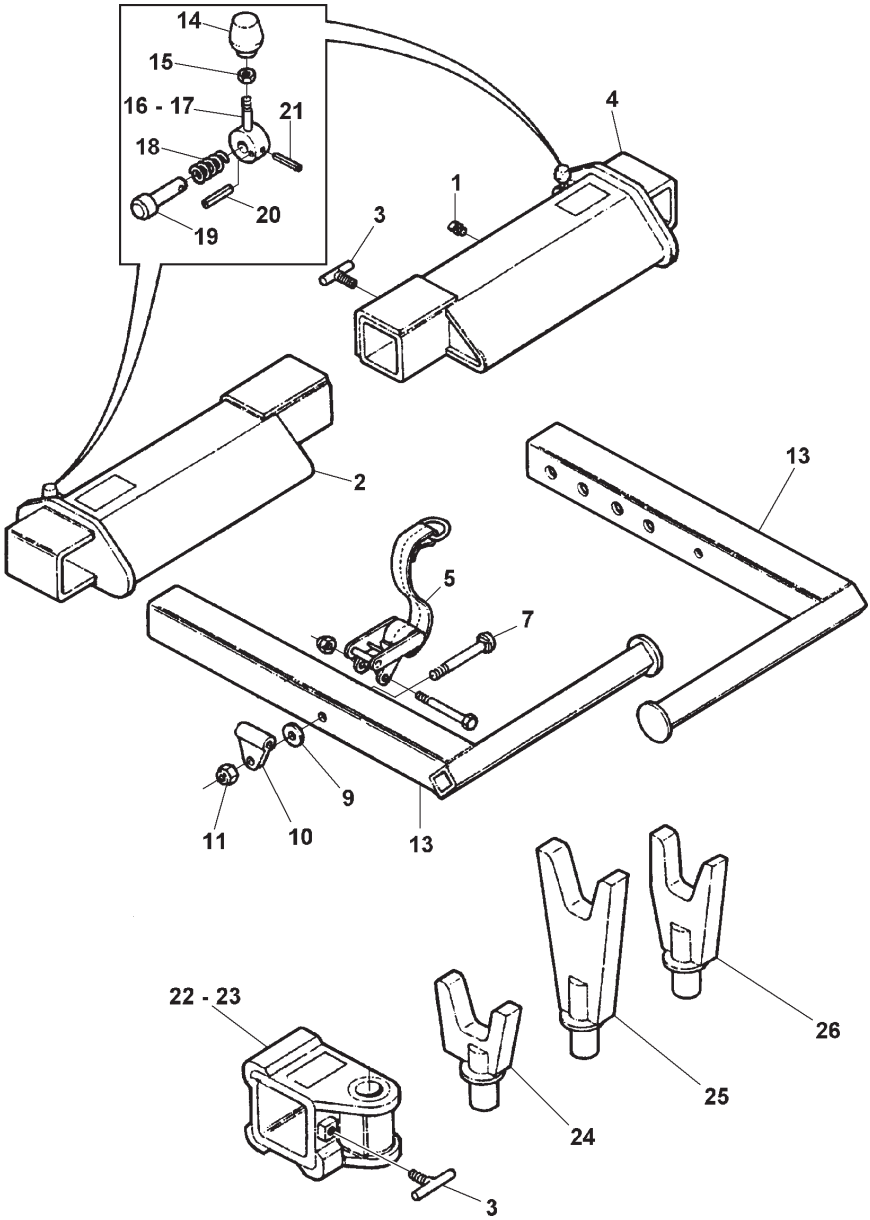
Section VI - PARTS (cont'd)

FORMULA IIIT WHEEL LIFT HYDRAULICS

REF. NO.	NO. REQ'D	PART NUMBER	DESCRIPTION
1	1	0300011	VALVE, 4 SPOOL
2	6	0300044	CONNECTOR, 6MJ-8MB
3	2	0300052	ELBOW, 8MJ-10MB90
4	2	0300055	HOSEBARB, 12C4-12MP
5	2	0300071	CLAMP, HOSE 1"
6	2	0300113	GREASE FITTING
7	2	0300165	HOSE ASSEMBLY, 91" H.P.
8	1	0300206	BRANCH TEE, 6MJ-6MJ-4MP
9	2	0300209	ELBOW, 6MJ-6MP90
10	1	0300365	CLAMP, CHECK VALVE RETAINING, 7"
11	2	0301375	ELBOW, STREET, 12MB-12FP90
12	2	0301377	TEE, 6MJ-6MJ-6MJ
13	1	0301473	HOSE ASSEMBLY, 18"
14	2	0301522	CONNECTOR, 6MJ-6MB
15	10	0301580	BLACK HOSE "SKUFF" JACKET
16	6	0301620	ELBOW, 6MJ-6MB90
17	7 FT.	0301674	RETURN HOSE, 3/4"
18	1	0302179	VALVE, 5 SPOOL
19	1	0302476	HOLDING VALVE, 3000 PSI
20	4	0302881	HOSE ASSEMBLY, 45"
21	1	0303101	LIFT CYLINDER
22	1	0303102	TILT CYLINDER, LEFT
23	1	0301303	TILT CYLINDER, RIGHT
24	1	0303160	TUBE ASSEMBLY, LIFT CYLINDER
25	2	0303169	HOSE ASSEMBLY, 104"
26	2	0303170	HOSE ASSEMBLY, 75"
27	4	0303171	HOSE ASSEMBLY, 111"
28	2	0400090	SCREW, 1/4"-20 X 1-3/4" RD HD
29	2	0400140	SCREW, 3/8"-16 X 4" HEX HD CAP
30	6	0400367	NUT, 1/4"-20 NYLOK HEX
31	6	0400392	NUT, 3/8"-16 NYLOK HEX
32	1	0700238	BRACKET, HOLDING VALVE
33	1	HD130	CYLINDER, BOOM EXTEND

Section VI - PARTS (cont'd)

OUTER CROSSTUBE & LIFT ADAPTERS

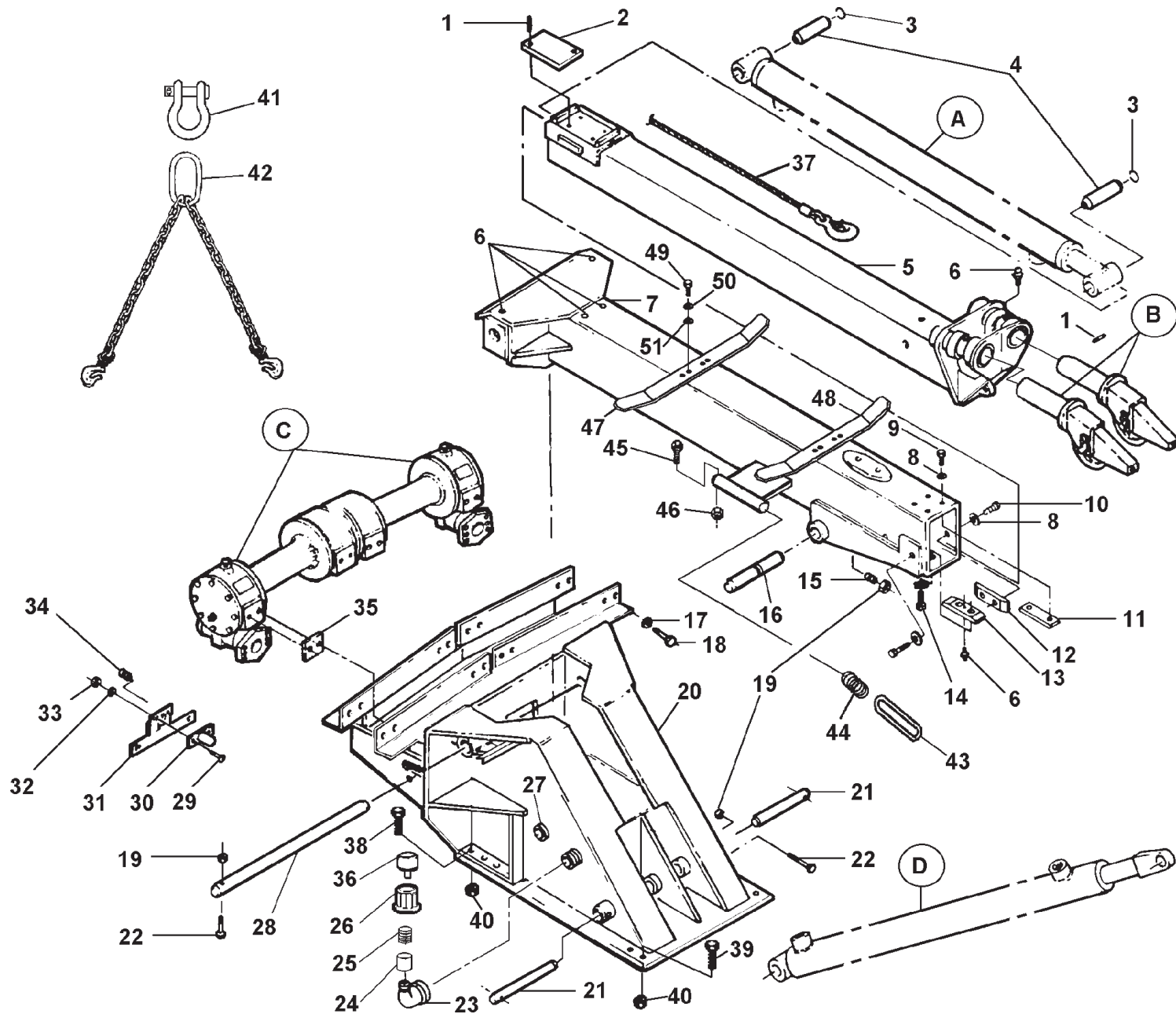


Section VI - PARTS (cont'd)
OUTER CROSSTUBE & LIFT ADAPTERS

Section VI - PARTS (cont'd)
WRECKER ASSEMBLY

REF. NO.	NO. REQ'D	PART NUMBER	DESCRIPTION
1	2	0300113	GREASE FITTING
2	2	0300341	KNOB, "L" BAR LOCK CONTROL
3	2	0301417	SPRING, PLUNGER PIN
4	2	0301681	EXTENSION, TIRE RESTRAINT
5	2	0301682	TIRE RESTRAINT
6	2	0400269	BOLT, 5/8"-11 X 4-1/2" CARRIAGE
7	2	0400393	NUT, 3/8"-16 HEX JAM
8	2	0400421	NUT, 5/8"-11 HEX NYLOK
9	2	0400506	WASHER, 5/8" FLAT
10	2	0400559	PIN, 3/16" X 1" ROLL
11	2	0400560	PIN, 5/32" X 1" ROLL
12	2	0706688	PIN, PLUNGER
13	4	0800590	HANDLE, "T"
14	2	0800839	BRACKET, RESTRAINT ASSEMBLY PIVOT
15	1	0802069	HANDLE, L.H. PLUNGER PIN
16	1	0802070	HANDLE, R.H. PLUNGER PIN
17	1	0802231	CROSSBAR, LEFT OUTER
18	1	0802232	CROSSBAR, RIGHT OUTER
19	1	0802249	ADAPTER, L.H. LIFT FORK OFFSET
20	1	0802250	ADAPTER, R.H. LIFT FORK OFFSET
21	2	0802606	RESTRAINT, TIRE MEDIUM
22	2	0802804	FORK, SHORT (3" OPENING)
23	2	0802805	FORK, MEDIUM (3" OPENING)
24	2	0802806	FORK, LONG (3" OPENING)
25	2	0802810	SPRING LIFT BRACKET
26	REF.	0802919	CROSSBAR WELDMENT
27	2	0902321	RETAINING PIN, SPRING LIFT BRACKET
28	2	0902378	RETAINING PIN

Section VI - PARTS (cont'd) WRECKER ASSEMBLY



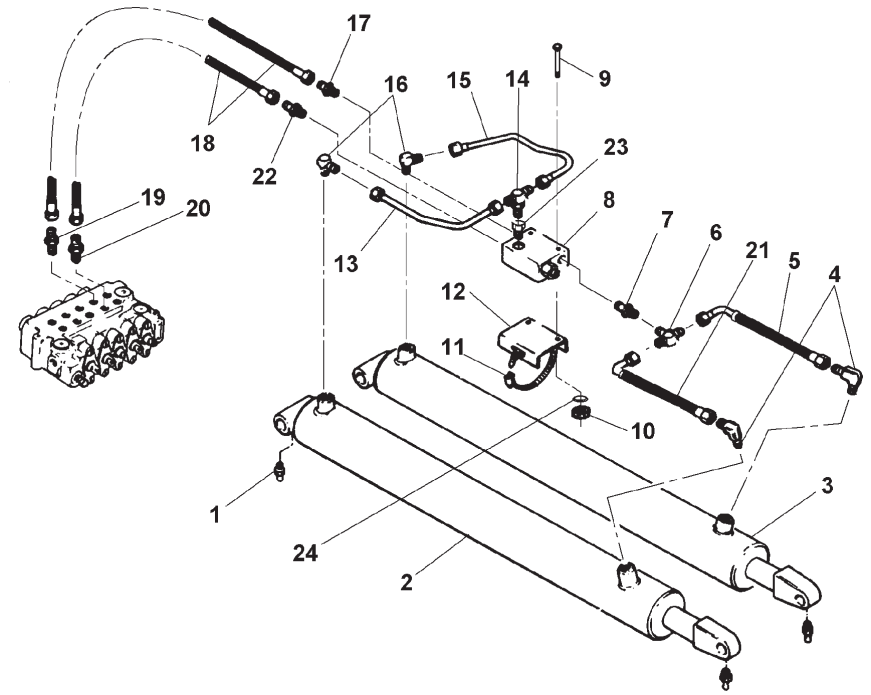
Section VI - PARTS (cont'd)

WRECKER ASSEMBLY

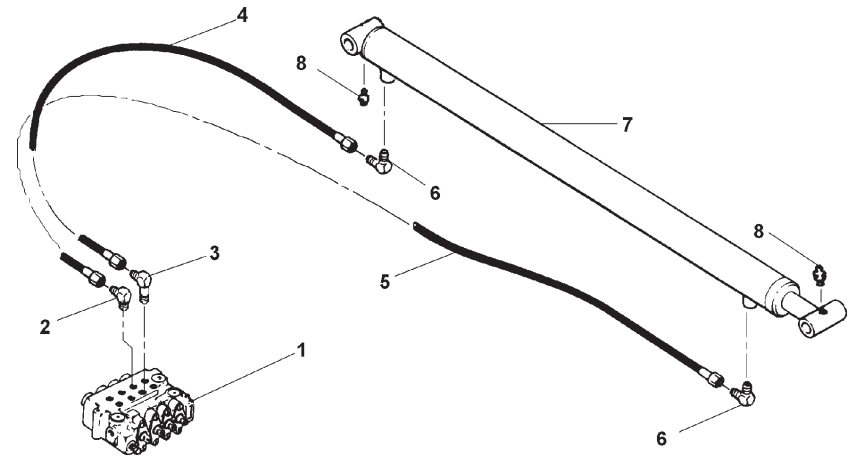
REF. NO.	NO. REQ'D	PART NUMBER	DESCRIPTION
1	8	0400554	ROLL PIN, 3/8" X 1"
2	1	0700792	SLIDE PAD, INNER BOOM
3	4	0300109	SNAP RING, 1-1/2"
4	2	0700780	SHAFT, EXTENSION CYLINDER
5	1	0800249	INNER BOOM WELDMENT
6	7	0300113	GREASE FITTING, ALEMITE
7	1	0800248	OUTER BOOM WELDMENT
8	12	0400482	LOCKWASHER, 3/8" HELICAL
9	4	0400121	SCREW, 3/8"-16 X 3/4" HEX HD CAP
10	4	0400141	SCREW, 3/8"-16 X 7/8" HEX HD CAP
11	2	0700778	TOP SPACER, OUTER BOOM
12	2	0700776	SLIDEPAD, SIDE, OUTER BOOM
13	1	0700775	SLIDEPAD, BOTTOM, OUTER BOOM
14	4	0400126	SCREW, 3/8"-16 X 1" HEX HD CAP
15	1	0400139	SCREW, 3/8"-16 X 1-1/2" HEX SKT SET
16	1	0700772	SHAFT, LIFT CYLINDER, BOOM
17	16	0400508	LOCKWASHER, 5/8" HELICAL
18	16	0400252	SCREW, 5/8"-11 X 1-1/2" HEX HD CAP
19	4	0400392	NUT, 3/8"-16 NYLOK HEX
20	1	0801163	WRECKER FRAME, 820
21	2	0700804	SHAFT, LIFT CYLINDER, LOWER
22	3	0400130	SCREW, 3/8"-16 X 3-1/2" HEX HD CAP
23	1	0300627	ELBOW, 90 DEG. STREET, 1-1/2" NPT
24	1	0303154	BELL REDUCER, PIPE, 2" NPT-1-1/2" NPT
25	1	0802975	FILLER NECK WELDMENT

REF. NO.	NO. REQ'D	PART NUMBER	DESCRIPTION
26	1	0305006	CAP, FILLER BREATHER W/STRAINER
27	1	0301541	SIGHT GAGE, TYPE S-1
28	1	0700781	SHAFT, BOOM PIVOT
29	2	0400061	SCREW, 1/4"-20 X 3/4" PAN HD SLOTTED
30	1	0300273	LICENSE PLATE ILLUMINATOR
31	1	0300076	LICENSE PLATE BRACKET
32	2	0400452	LOCKWASHER, 1/4" HELICAL
33	2	0400366	NUT, 1/4"-20 HEX
34	2	0300117	GROMMET, RUBBER #316
35	4	0706668	SHIM, WINCH MOUNTING
A	1	0302142	EXT. CYL., 820 (SEE PAGE VI-5)
B	1	0900431	BOOM SWIVEL ASSY, LT
	1	0900432	BOOM SWIVEL ASSY, RT (SEE PAGE VI-6)
C	1	0300605	WINCH, RAMSEY, HX-700, LT
	1	0300606	WINCH, RAMSEY, HX-700, RT (SEE PAGES VI-11 & VI-12)
D	1	0302344	BOOM LIFT CYL., LT
	1	0302345	BOOM LIFT CYL., RT (SEE PAGE VI-6)

Section VI - PARTS (cont'd) BOOM ELEVATION HYDRAULICS



BOOM EXTENSION HYDRAULICS



Section VI - PARTS (cont'd)

BOOM ELEVATION HYDRAULICS

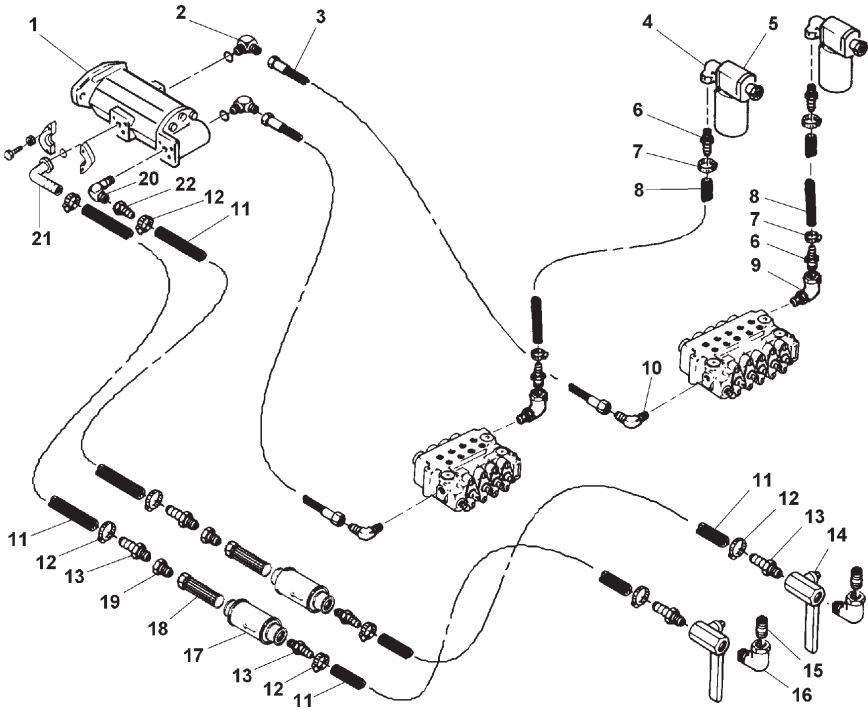
REF. NO.	NO. REQ'D	PART NUMBER	DESCRIPTION
1	4	0300113	GREASE FITTING
2	1	0302344	CYLINDER, BOOM LIFT, LEFT
3	1	0302345	CYLINDER, BOOM LIFT, RIGHT
4	1	0300229	ELBOW, 8MJ-8MP90
5	1	0303166	HOSE ASSEMBLY, ELEV. CYL., UPPER RIGHT
6	1	0302796	TEE, 8MJ-8MJ-8FJX
7	1	0301445	CONNECTOR
8	1	0303165	HOLDING VALVE
9	2	0400069	SCREW, 1/4"-20 X 2" RD HD SLOTTED
10	2	0400366	NUT, 1/4"-20 HEX
11	1	0300710	CLAMP, CHK VALVE RETAINING, 6-1/2"
12	1	0700238	BRACKET, HOLDING VALVE
13	1	0710438	TUBE, HYD. PIPING, ELEV. CYLINDER
14	1	0300766	MALE BRANCH TEE
15	1	0710437	TUBE, HYD. PIPING, ELEV. CYLINDER
16	2	0300764	MALE ELBOW
17	1	0300761	STRAIGHT ADAPTER
18	2	0302610	HOSE, ELEV. CYLINDER, LOWER
19	1	0300041	CONNECTOR, 8MJ-8MB
20	1	0301445	CONNECTOR, EXTENDED, 8MJ-8MBL
21	1	0303167	HOSE ASSEMBLY, ELEV. CYL., UPPER LEFT
22	1	0302321	ELBOW, 8MJ-8MB45
23	1	0303168	ADAPTER, 8MB-8FP
24	2	0400452	LOCKWASHER, 1/4" HELICAL

BOOM EXTENSION HYDRAULICS

REF. NO.	NO. REQ'D	PART NUMBER	DESCRIPTION
1	1	0300011	VALVE, CONTROL, 4 SPOOL
2	1	0301388	ELBOW
3	1	0302508	ELBOW, EXTENDED
4	1	0301113	HOSE ASSY, 82"
5	1	0301659	HOSE ASSY, 150"
6	2	0300229	ELBOW, 8MJ-8MP90
7	1	0302142	CYLINDER, EXTENSION
8	2	0300113	GREASE FITTING

Section VI - PARTS (cont'd)

PUMP, VALVE & FILTER HYDRAULICS



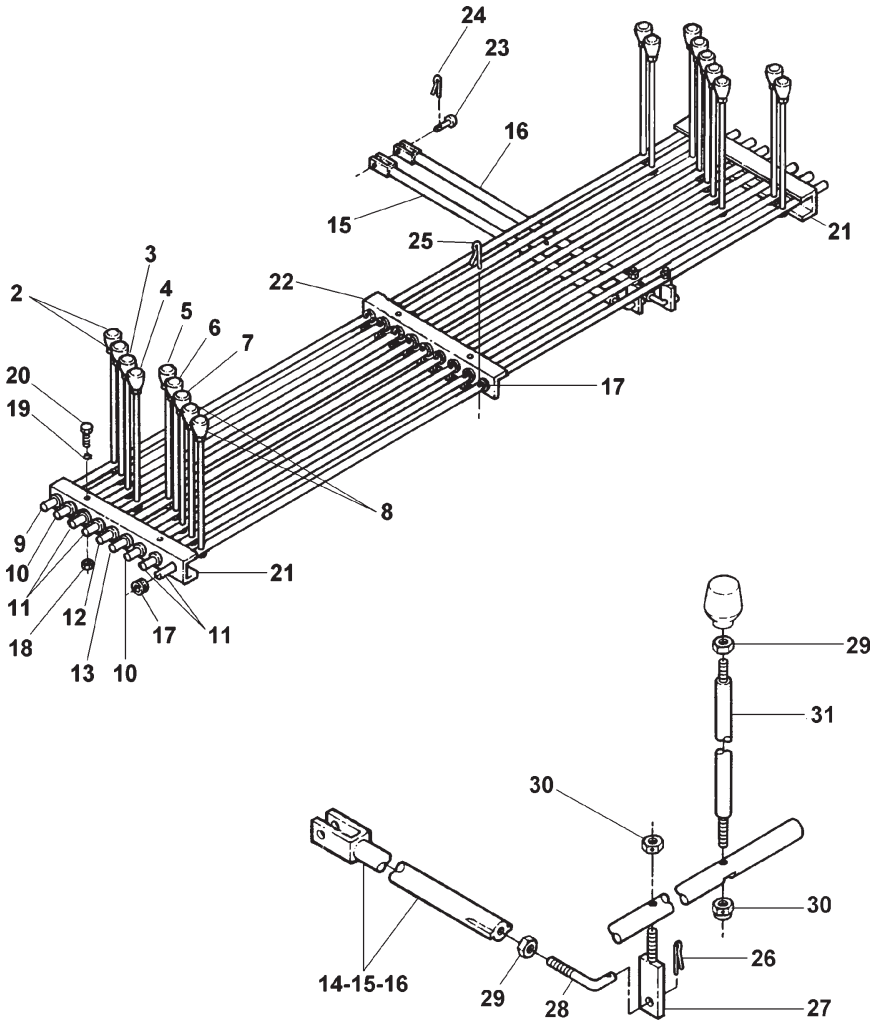
Section VI - PARTS (cont'd)

PUMP, VALVE & FILTER HYDRAULICS

REF. NO.	NO. REQ'D	PART NUMBER	DESCRIPTION
1	1	0301507	PUMP, TP16-150A-2N55
2	2	0301547	ELBOW, 8MJ-12MB90°
3	2	0300165	HOSE ASSY, HI PRESSURE 91"
4	2	0300288	STREET ELBOW, 90°, 1"
	2	0302113	REDUCER, BUSHING, 1"-3/4" (NOT SHOWN)
5	2	5823028	FILTER ASSY, PARKER 40CN103BM25C1C1-1
6	2	0300055	HOSE BARB, 12C4-12MP
7	4	0300071	CLAMP, HOSE 1"
8	2	0301674	HOSE, 3/4" RETURN
9	2	0301375	ELBOW, 12MB-12FP90°
10	2	0300052	ELBOW, 8MJ-10MB90°
11	14 FT.	0300671	SUCTION HOSE, 1-1/2"
12	8	0300364	CLAMP, HOSE, 1" - 2-1/4"
13	7	0300666	HOSE BARB, 24C4-24MP
14	2	0302088	VALVE, BRONZE BALL
15	2	0300891	PIPE NIPPLE, 1-1/2" X 3"
16	2	0300627	STREET ELBOW, 1-1/2" 90°
17	2	5828022	STRAINER HOUSING WELDMENT
18	2	5823017	TANK MTD. STRAINER, LHA#TM-50-100-RV5
19	2	0301373	PIPE BUSHING, 2"NPT-1-1/2"
20	1	0303032	ELBOW, 24MJ-20MB90°
21	1	0302242	FLANGE FITTING
22	1	0303033	HOSE BARB, 24C4-24FJX

Section VI - PARTS (cont'd)

CONTROLS & CROSSRODS

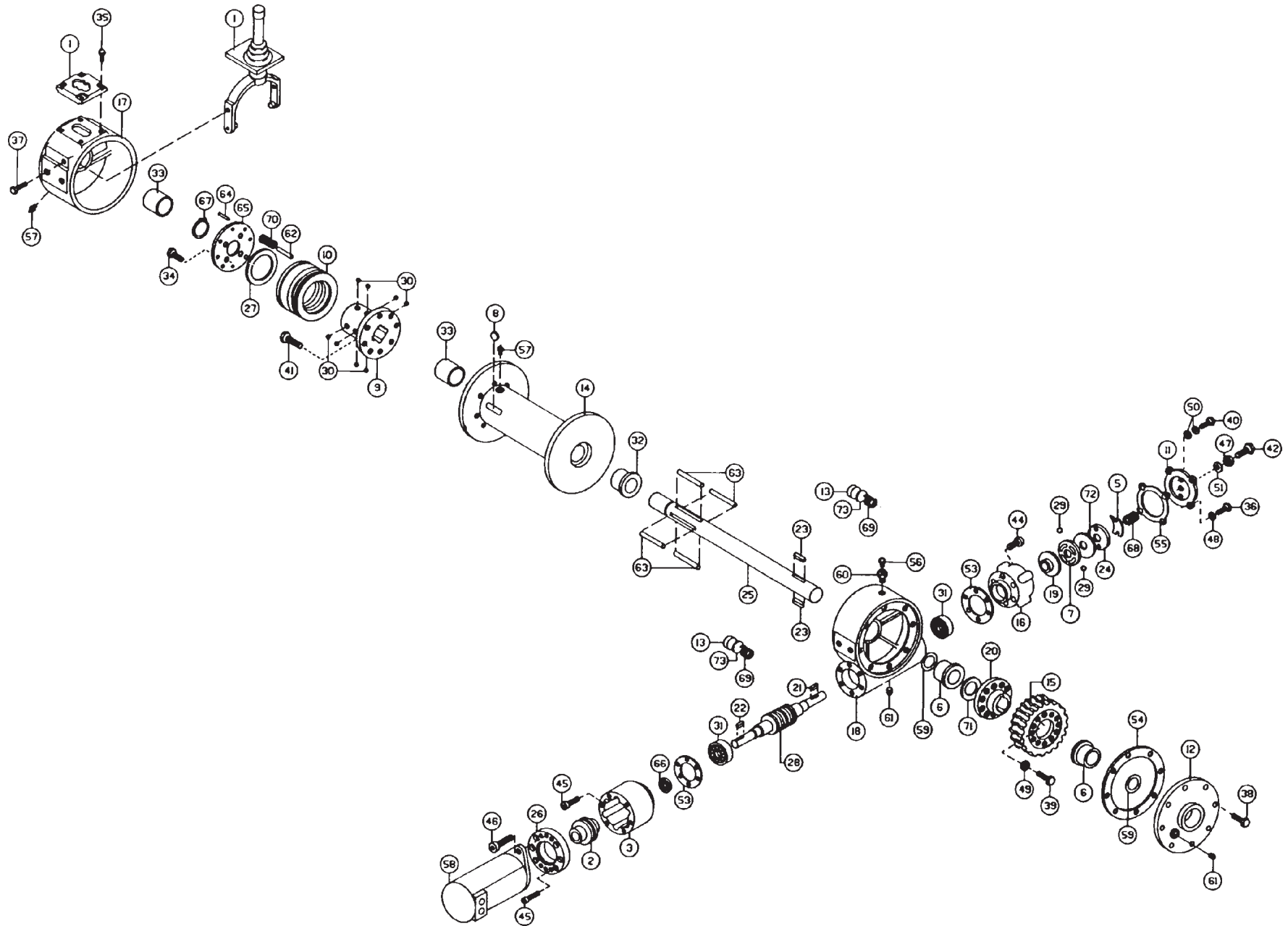


Section VI - PARTS (cont'd)
CONTROLS & CROSSRODS

Section VI - PARTS (cont'd)
WINCH ASSEMBLY

REF. NO.	NO. REQ'D	PART NUMBER	DESCRIPTION
1	1	0300685	VERNIER THROTTLE CONTROL, 20' (NOT SHOWN)
2	4	0300836	KNOB, JACK UP-DOWN
3	2	0300837	KNOB, BOOM EXTEND IN-OUT
4	2	0300835	KNOB, BOOM UP-DOWN
5	2	0302856	KNOB, WHEEL LIFT TILT UP-DOWN
6	2	0302917	KNOB, WHEEL LIFT EXTEND IN-OUT
7	2	0302967	KNOB, WHEEL LIFT LIFT UP-DOWN
8	4	0300834	KNOB, WINCH CABLE IN-OUT
9	1	0705498	CROSS ROD, CONTROL
10	2	0704528	CROSS ROD, WHEEL LIFT
11	4	0704529	CROSS ROD, WRECKER
12	1	0710204	CROSS ROD, TILT
13	1	0704530	CROSS ROD, WHEEL LIFT
14	3	0802023	SHIFTER ROD, SHORT
15	3	0802024	SHIFTER ROD, MEDIUM
16	3	0802025	SHIFTER ROD, LONG
17	27	0300122	GROMMET, SPLIT PLASTIC
18	10	0400370	CLIP, 1/4" "U" TYPE TINNERMAN
19	10	0400452	WASHER, 1/4" HELICAL
20	10	0400060	SCREW, 1/4"-20 X 1/2" HEX HD CAP
21	2	0705495	CHANNEL, CONTROL ROD BEARING
22	1	0705496	ANGLE, CONTROL ROD BEARING
23	9	0400527	PIN, 5/16" X 5/8" CLEVIS COTTERLESS
24	18	0400539	PIN, 3/16" X 1-1/2" COTTER
25	9	0400543	PIN, 1/8" X 3/4" COTTER
26	9	0400541	PIN, 1/16" X 3/4" COTTER
27	9	0800604	ARM, CROSS CONTROL
28	9	0701099	EXTENSION, CONTROL ROD
29	27	0400390	NUT, 3/8"-16 HEX ESLOK JAM
30	18	0400393	NUT, 3/8"-16 HEX JAMLOCK
31	18	0705494	CONTROL LEVER

Section VI - PARTS (cont'd) WINCH ASSEMBLY



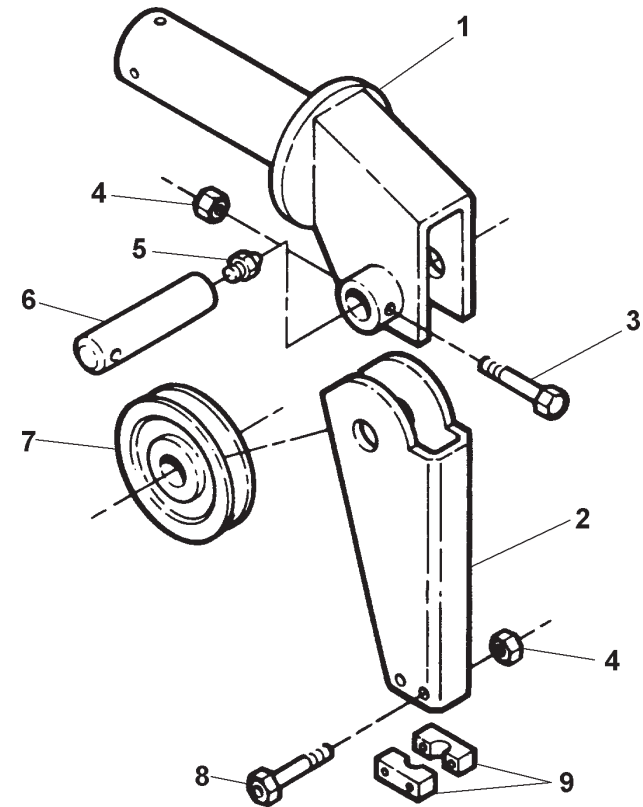
Section VI - PARTS (cont'd)

WINCH ASSEMBLY

REF. NO.	NO. REQ'D	PART NUMBER	DESCRIPTION
1	1	276035	SHIFTER ASSEMBLY
2	1	299044	COUPLING, ASSEMBLY
3	1	300047	ADAPTER
5	1	306033	SPRING, FLAT
6	2	308080	BUSHING
7	1	314007	CAM PLATE
8	1	314011	CABLE ANCHOR
9	1	324153	CLUTCH
10	1	324320	LOCKING RING
11	1	328027	COVER, BRAKE
12	1	328123	COVER, GEAR HOUSING
13	2	330010	SHOE, DRAG BRAKE
14	1	332122	DRUM, HX-700
	1	332123	DRUM
15	1	334068	GEAR, R.H.
16	1	338221	HOUSING, BRAKE
17	1	338241	HOUSING, CLUTCH
18	1	338243	HOUSING, GEAR
19	1	340011	HUB, BRAKE
20	1	340069	HUB, GEAR
21	1	342053	KEY
22	1	342092	KEY
23	2	342142	KEY
24	1	352021	PLATE, RETAINER
25	1	357436	SHAFT, DRUM, HX-700
	1	357437	SHAFT, DRUM
26	1	362189	SPACER, ADAPTER PLATE
27	1	362229	SPACER
28	1	368085	WORM, R.H.
29	2	400007	BALL, BRAKE
30	8	400011	BALL, CLUTCH
31	2	402045	BEARING, BALL
32	1	412053	BUSHING
33	2	412054	BUSHING
34	4	414038	CAPSCREW, 1/4-20 X 3/4 HX.HD.
35	4	414069	CAPSCREW, 5/16-18 X 3/4 HX.HD.
36	4	414111	CAPSCREW, 5/16-18 X 1 HX.HD.
37	2	414224	CAPSCREW, 3/8-16 X 1-1/2 HX.HD. ALL-THD

REF. NO.	NO. REQ'D	PART NUMBER	DESCRIPTION
38	8	414277	CAPSCREW, 3/8-16 X 1 HX.HD. NYLOK
39	12	414388	CAPSCREW, 3/8-24 X 1-1/4 HX.HD.
40	2	414399	CAPSCREW, 3/8-24 X 1-1/4 HX.HD. ALL-THD NYLOK
41	8	414571	CAPSCREW, 1/2-20 X 1 HX.HD.
42	1	414603	CAPSCREW, 1/2-20 X 1-3/4 HX.HD. ALL-THD
44	6	414897	CAPSCREW, 3/8-16 X 1 SOC.HD.
45	12	414909	CAPSCREW, 3/8-16 X 1-1/2 SOC.HD. LOC-WEL
46	2	414950	CAPSCREW, 1/2-13 X 1-3/4 SOC.HD. LOC-WEL
47	1	418067	NUT, 1/2-20 HX.JAM
48	4	418163	LOCKWASHER, 5/16 MED.SECT. C.P.
49	12	418176	LOCKWASHER, 3/8 MED.SECT.
50	4	418184	WASHER, 3/8 FLAT ALUM.
51	1	486076	THREAD SEAL
53	2	442192	GASKET
54	1	442193	GASKET
55	1	442194	GASKET
56	1	456008	FITTING, RELIEF
57	2	456031	FITTING, LUBE
58	1	458027	MOTOR, HYDRAULIC
59	2	462021	QUAD, RING
60	1	468002	REDUCER
61	2	468011	PIPE PLUG
62	4	470042	PIN, ROLL
63	4	470044	PIN, DOWEL
64	4	470056	PIN, ROLL
65	1	474031	PLATE, RETAINER
66	1	486068	SEAL, OIL
67	1	490026	RING, RETAINER
68	1	494010	SPRING
69	2	494021	SPRING, DISC
70	4	494069	SPRING
71	1	518017	THRUST WASHER
72	1	530007	DISC, BRAKE
73	2	530094	SPACER, BRAKE

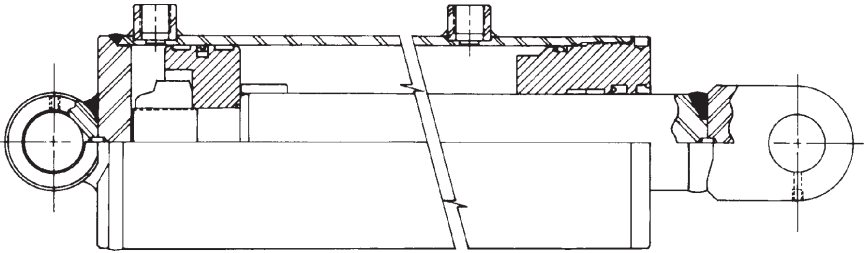
Section VI - PARTS (cont'd) BOOM END SWIVELASSEMBLY



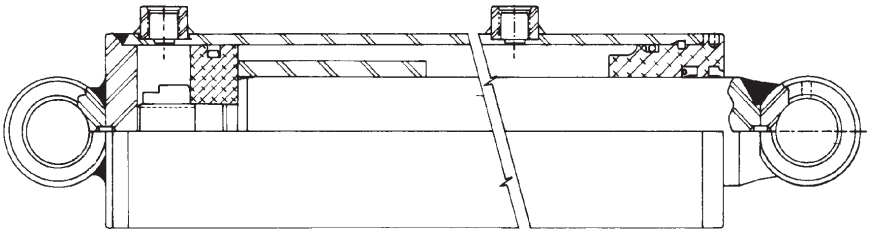
REF. NO.	NO. REQ'D	PART NUMBER	DESCRIPTION
1	1	0800301	SWIVEL WELDMENT, LEFT
	1	0800300	SWIVEL WELDMENT, RIGHT
2	1	0800286	CABLE GUIDE WELDMENT
3	1	0400133	SCREW, 3/8"-16 X 3" HEX HD CAP
4	3	0400392	NUT, 3/8"-16 NYLOK HEX
5	1	0300113	GREASE FITTING
6	1	0700888	SHAFT, SHEAVE
7	1	0300626	SHEAVE, 8" DIA X 1-1/2" RIM
8	2	0400124	SCREW, 3/8"-16 X 2-1/2" HEX HD CAP
9	2	0700801	CABLE GUIDE, BOTTOM

Section VI - PARTS (cont'd)

HYDRAULIC CYLINDERS - WRECKER



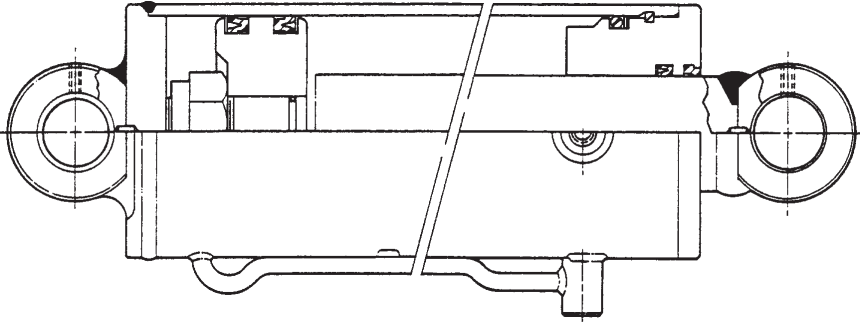
REF. NO.	NO. REQ'D	PART NUMBER	DESCRIPTION
1	1	0302344	CYLINDER, BOOM LIFT (LEFT)
	1	0302345	CYLINDER, BOOM LIFT (RIGHT)
2	1	0304501	SEAL KIT, BOOM LIFT CYLINDER



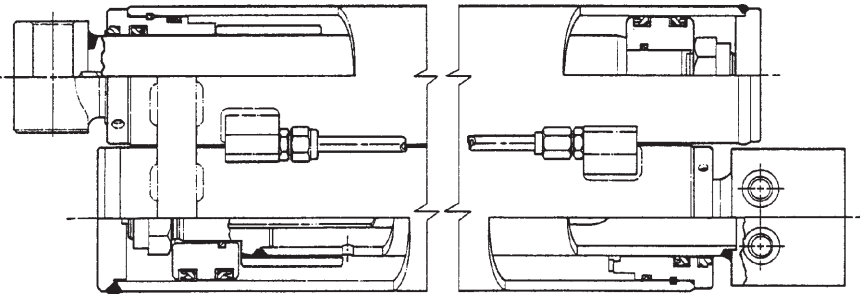
REF. NO.	NO. REQ'D	PART NUMBER	DESCRIPTION
1	1	0302142	CYLINDER, BOOM EXTEND (COMPLETE)
2	1	0304502	SEAL KIT, BOOM EXTEND CYLINDER

Section VI - PARTS (cont'd)

HYDRAULIC CYLINDERS - WHEEL LIFT



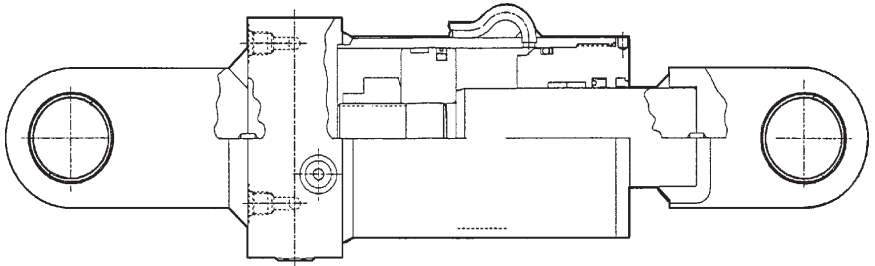
REF. NO.	NO. REQ'D	PART NUMBER	DESCRIPTION
1	2	0303101	CYLINDER, WHEEL LIFT LIFT (COMPLETE)
2	--	0304499	SEAL KIT, WHEEL LIFT LIFT CYLINDER



REF. NO.	NO. REQ'D	PART NUMBER	DESCRIPTION
1	1	HD130	CYLINDER, WHEEL LIFT EXTEND (COMPLETE)
2	1	HD163	SEAL KIT, WHEEL LIFT EXTEND CYLINDER

Section VI - PARTS (cont'd)

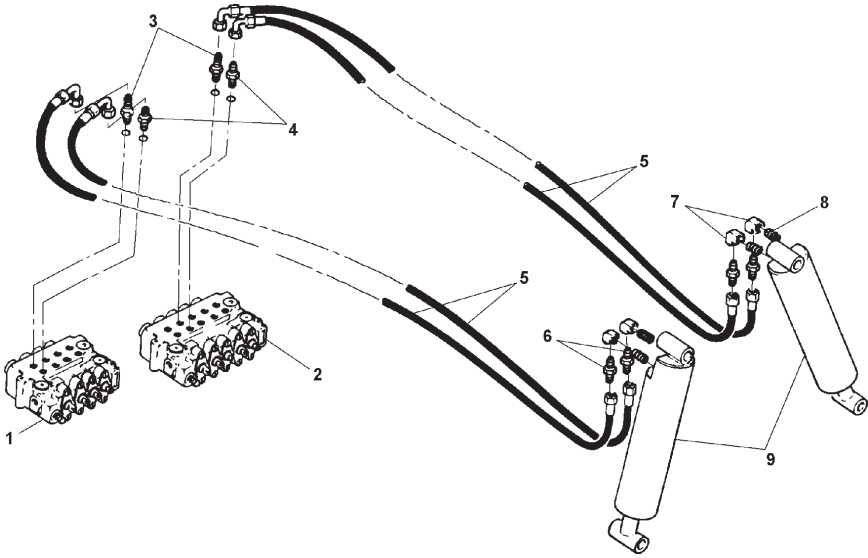
HYDRAULIC CYLINDERS - WHEEL LIFT



REF. NO.	NO. REQ'D	PART NUMBER	DESCRIPTION
1	1	0303102	CYLINDER, WHEEL LIFT TILT, LEFT
	1	0303103	CYLINDER, WHEEL LIFT TILT, RIGHT
2	--	0304500	SEAL KIT, BOOM LIFT CYLINDER

Section VI - PARTS (cont'd)

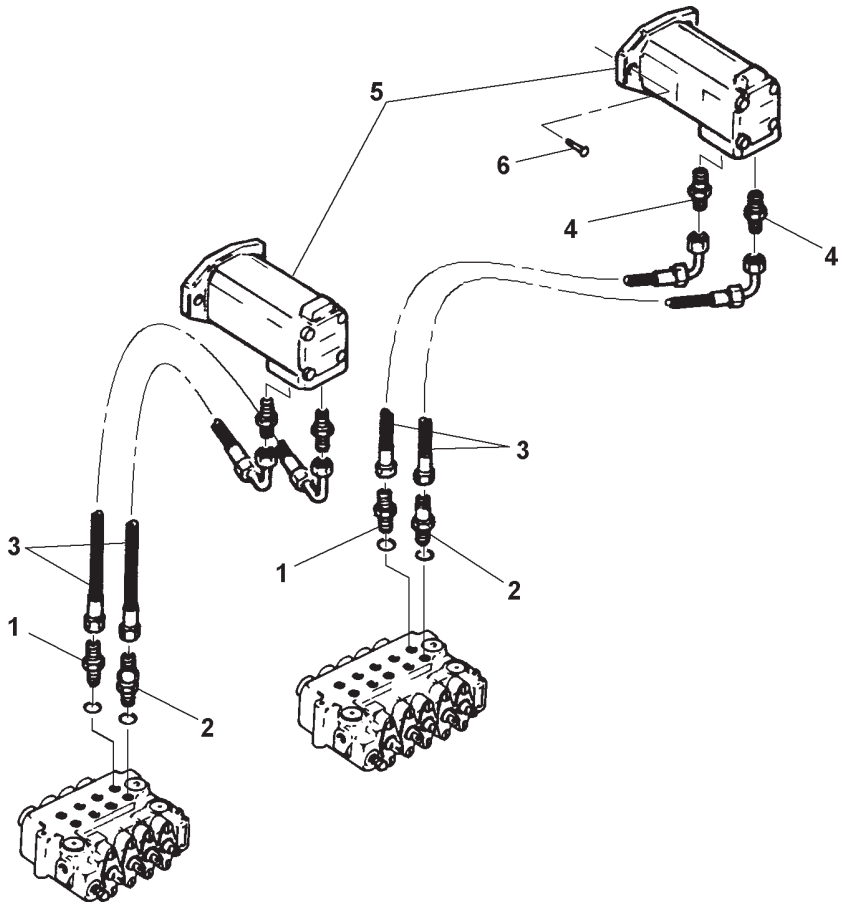
REAR JACK HYDRAULICS



REF. NO.	NO. REQ'D	PART NUMBER	DESCRIPTION
1	1	0300011	VALVE, CONTROL, 4 SPOOL
2	1	0302179	VALVE, CONTROL, 5 SPOOL
3	2	0301445	EXTENDED CONNECTOR, 8MJ-8MBL
4	2	0300041	CONNECTOR, 8MJ-8MB
5	4	0302473	HOSE ASSEMBLY
6	4	0300040	CONNECTOR, 8MJ-8MP
7	4	0301816	FITTING, 8FP-8FP45
8	4	0302032	NIPPLE, BLACK PIPE, 1/2" X 6"
9	2	0300680	CYLINDER, SPADE

Section VI - PARTS (cont'd)

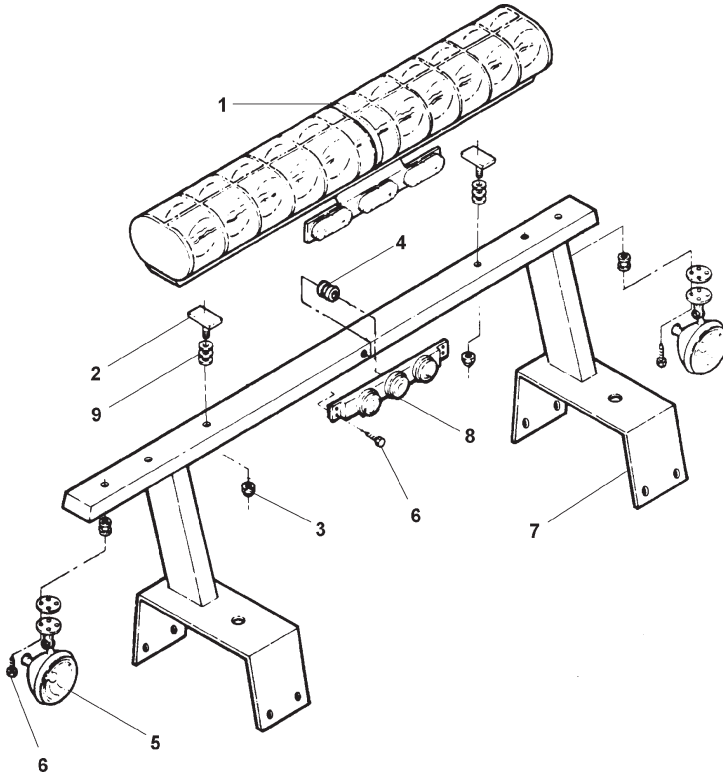
WINCH MOTOR HYDRAULICS



REF. NO.	NO. REQ'D	PART NUMBER	DESCRIPTION
1	2	0300041	CONNECTOR, 8MJ-8MB
2	2	0301445	EXTENDED CONNECTOR, 8MJ-8MBL
3	4	0301207	HOSE ASSEMBLY
4	4	0301376	CONNECTOR, 8MJ-10MB
5	2	0300691	HYD. MOTOR, CHAR-LYNN, #104-1027-005
6	4	0400196	SCREW, 1/2"-13 X 1-1/2" SKT HD CAP
7	4	0400491	LOCKWASHER, 1/2" HELICAL

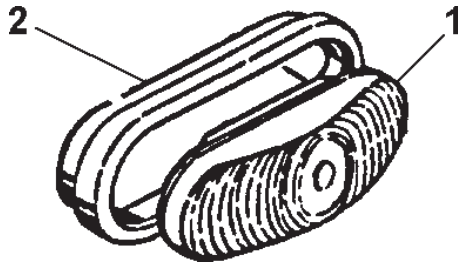
Section VI - PARTS (cont'd)

LIGHT BAR ASSEMBLY

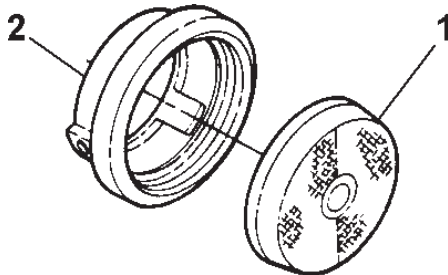


REF. NO.	NO. REQ'D	PART NUMBER	DESCRIPTION
1	1	0301359	WRECKER SPECIAL LIGHT
2	2	0800539	ADAPTER, "T" BOLT
3	2	0400408	NUT, 1/2"-13 HEX NYLOK
4	3	0300117	RUBBER GROMMET
5	2	0300095	SPOTLIGHT W/GASKET
6	12	0400027	SCREW, #8-32 X 5/8" SELF-TAPPING
7	--	124001245	820 LIGHT BAR KIT
	2	0702376	PLATE, SPOTLIGHT MOUNTING
	1	0702381	CROSS CHANNEL
	1	0800766	LEFT SUPPORT TUBE
	1	0800767	RIGHT SUPPORT TUBE
8	1	0300442	LIGHT, 3-BAR
9	6	0400480	WASHER, 1/2" FLAT

Section VI - PARTS (cont'd) LIGHT KIT



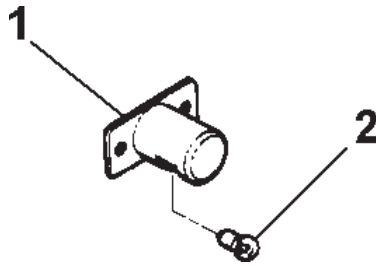
REF. NO.	NO. REQ'D	PART NUMBER	DESCRIPTION
1	2	0303123	LIGHT, SEALED RED (STOP & TURN)
	2	0303177	LIGHT, SEALED AMBER (TURN)
	2	0303124	LIGHT, SEALED CLEAR (BACKUP)
2	6	0303128	TAIL LIGHT GROMMET & PLUG KIT



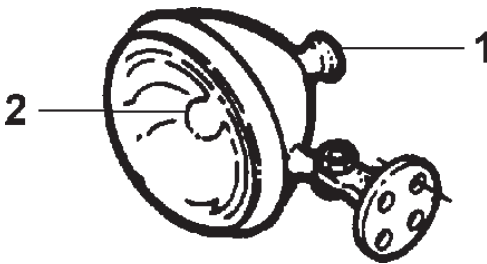
REF. NO.	NO. REQ'D	PART NUMBER	DESCRIPTION
1	4	0303125	MARKER LIGHT, SEALED RED
	2	0303126	MARKER LIGHT, SEALED AMBER
2	6	0303127	GROMMET MOUNTING KIT W/PLUG

Section VI - PARTS (cont'd)

LIGHT KIT



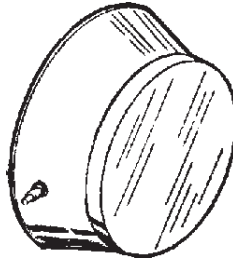
REF. NO.	NO. REQ'D	PART NUMBER	DESCRIPTION
1	1	0300273	LICENSE PLATE ILLUMINATOR
2	1	0300512	BULB, LICENSE PLATE ILLUMINATOR



REF. NO.	NO. REQ'D	PART NUMBER	DESCRIPTION
1	2	0300095	SPOTLIGHT (COMPLETE)
2	2	0300700	BULB, SPOTLIGHT

Section VI - PARTS (cont'd)

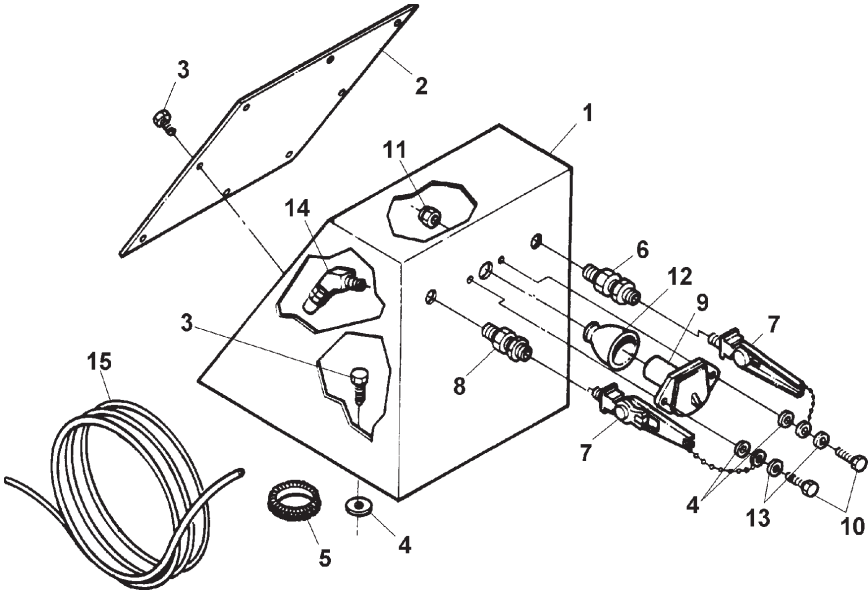
LIGHT KIT



REF. NO.	NO. REQ'D	PART NUMBER	DESCRIPTION
1	4	0302544	DOME LIGHT, M390S (COMPLETE)

Section VI - PARTS (cont'd)

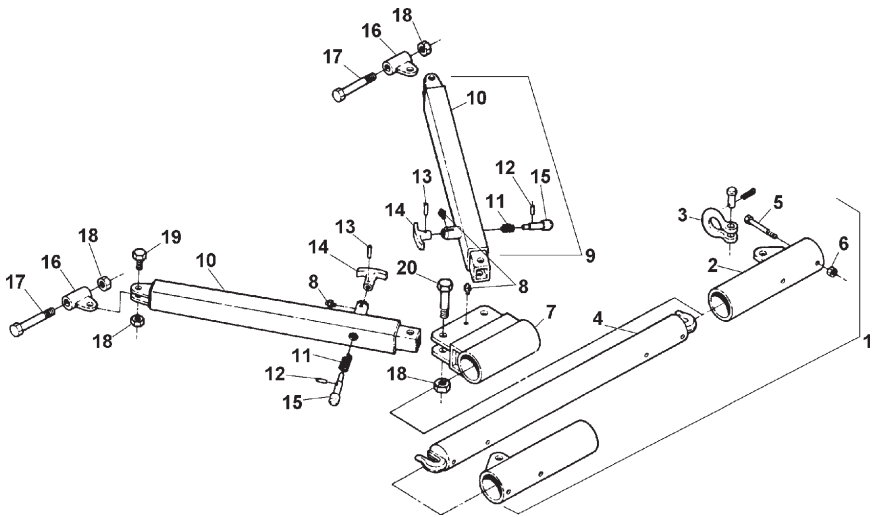
GLAD HAND ASSEMBLY



REF. NO.	NO. REQ'D	PART NUMBER	DESCRIPTION
--	--	1100441	CONTROL HOUSING, COMPLETE
--	--	0900973	HOUSING ASSEMBLY, GLAD HAND
1	1	0801099	HOUSING, WELDED GLAD HAND
2	1	0703797	LID, HOUSING, WELDED
3	9	0400062	SCREW, 1/4"-20 X 3/4" HEX HD SELF-TAP.
4	4	0400451	FLATWASHER, 1/4"
5	1	0301862	CATERPILLER GROMMET
6	2	0301944	GLAD HAND COUPLING
7	2	0301945	GLAD HAND PLUG
8	2	0301946	CONNECTOR
9	1	0301948	HD 7-WAY TRAILER CONNECTOR
10	2	0400070	SCREW, 1/4"-20 X 1" HEX HEAD CAP
11	2	0400367	NUT, 1/4"-20 NYLOK HEX
12	1	0301909	RECEPTACLE BOOT
13	2	0400463	FLATWASHER, 5/16"
14	2	0301947	ADAPTER, 1/4" NPTM X 3/8" SYN. HOSE
15	2	0703795	HOSE, 3/8" X 4" LG SYN.

Section VI - PARTS (cont'd)

HEAVY DUTY TRUCK HITCH



REF. NO.	NO. REQ'D	PART NUMBER	DESCRIPTION
--	--	124001041	ASSEMBLY, HEAVY DUTY TRUCK HITCH
1	1	0900100	ASSEMBLY, ANCHOR BAR (INCLUDES ITEMS 2 THRU 8)
2	2	0800409	LIFTER SLEEVE WELDMENT
3	2	0300335	SHACKLE
4	1	0800182	ANCHOR BAR WELDMENT
5	4	0400190	SCREW, 1/2"-13 X 6-1/2" HEX HEAD CAP
6	4	0400408	NUT, 1/2"-13 NYLOK HEX
7	1	0800181	SWIVEL WELDMENT
8	3	0300113	GREASE FITTING (INCLUDES ITEMS 8 & 10 THRU 15)
9	2	0900187	SPACER BAR ASSEMBLY
10	2	0800343	SPACER BAR WELDMENT
11	2	0300004	SPRING, PLUNGER
12	2	0400563	ROLL PIN, 3/16" X 1-3/4"
13	2	0400561	ROLL PIN, 5/32" X 3/4"
14	2	0300331	HANDLE, TEE
15	2	0700526	PIN, PLUNGER
16	2	0800171	TRUNNION WELDMENT
17	2	0400324	SCREW, 1"-8 X 7-1/2" HEX HEAD CAP
18	6	0400444	NUT, 1"-8 NYLOK HEX
19	2	0400332	SCREW, 1"-8 X 3-1/2" HEX HEAD CAP
20	2	0400331	SCREW, 1"-8 X 5-1/2" HEX HEAD CAP
21	2	0301205	CHAIN ASSEMBLY (NOT ILLUSTRATED)

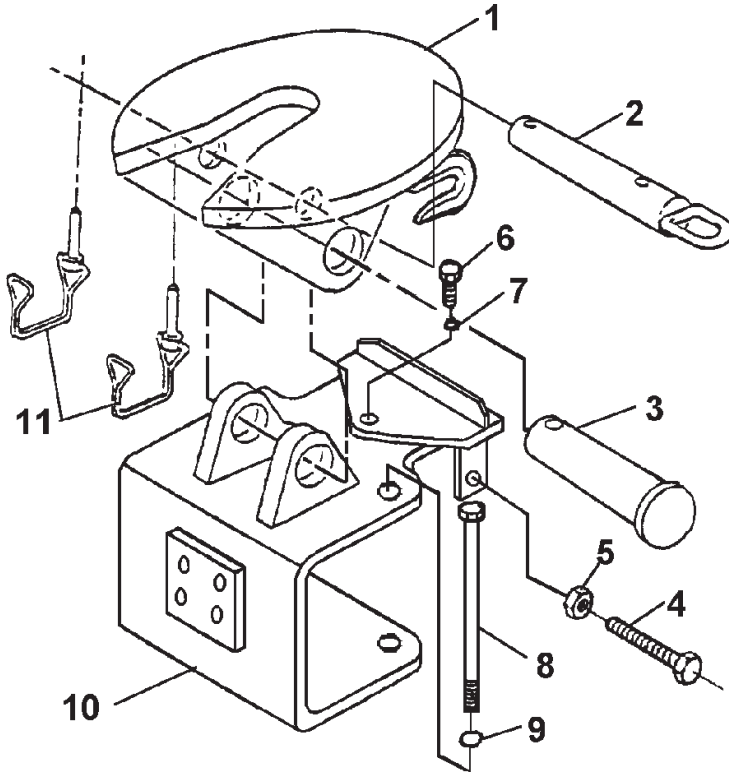
Section VI - PARTS (cont'd)

AIR OPERATED FREE SPOOL CLUTCH

REF. NO.	NO. REQ'D	PART NUMBER	DESCRIPTION
1	2	0300153	BUTT SPLICE
2	2	0301503	GROUND, 5/16" RING CONNECTOR
3	4	0300602	TOGGLE SWITCH
4	2	0300324	SOLENOID VALVE
5	4	0301454	SWITCH BOOT
6	8	0301476	CONNECTOR, 1/4" FEMALE BLADE
7	2	0302055	AIR CYLINDER
8	5	0301574	ELBOW
9	1	0301575	TEE
10	1	0702399	AIR LINE (144")
11	4	0400041	SCREW, #10-32 X 3/8" PAN HD
12	2	0400131	SCREW, 3/8"-16 X 1-3/4" HEX HD CAP
13	4	0400367	NUT, 1/4"-20 LOCK
14	6	0400392	NUT, 3/8"-16 LOCK
15	2	0400412	NUT, 1/2"-20 HEX JAM
16	4	0400480	FLAT WASHER, 3/8"
17	4	0400520	LOCKWASHER, #10
18	2	0400530	CLEVIS PIN, 5/16" X 1-1/4"
19	2	0400543	COTTER PIN, 1/8" X 3/4"
20	2	0701078	BRACKET
21	2	0702382	MOUNTING ANGLE
22	2	0800772	ADJUSTING YOKE
23	3	0702397	AIR LINE (12")
24	1	0702398	AIR LINE (24")

Section VI - PARTS (cont'd)

KING PIN ASSEMBLY



REF. NO.	NO. REQ'D	PART NUMBER	DESCRIPTION
1	1	VA0660	5TH WHEEL PIVOT PLATE WELDMENT
2	1	VA0661	PULL PIN WELDMENT
3	1	VA0662	PIVOT PIN WELDMENT
4	2	0400282	SCREW, 3/4"-10 X 2-3/4" HEX HD CAP
5	2	0400440	NUT, 3/4"-10 HEX JAM
6	1	0400188	SCREW, 1/2"-13 X 2" HEX HD CAP
7	1	0400491	LOCKWASHER, 1/2" HELICAL
8	2	0400316	SCREW, 7/8"-9 X 8" HEX HD CAP
9	2	0400515	LOCKWASHER, 7/8" HELICAL
10	1	0802962	LOCK PLATE WELDMENT
11	2	HD1259	PIN, SNAPPER

CENTURY®

Miller Industries Towing Equipment Inc.

8503 Hilltop Drive • Ooltewah, Tennessee 37363 • (423) 238-4171

www.millerind.com